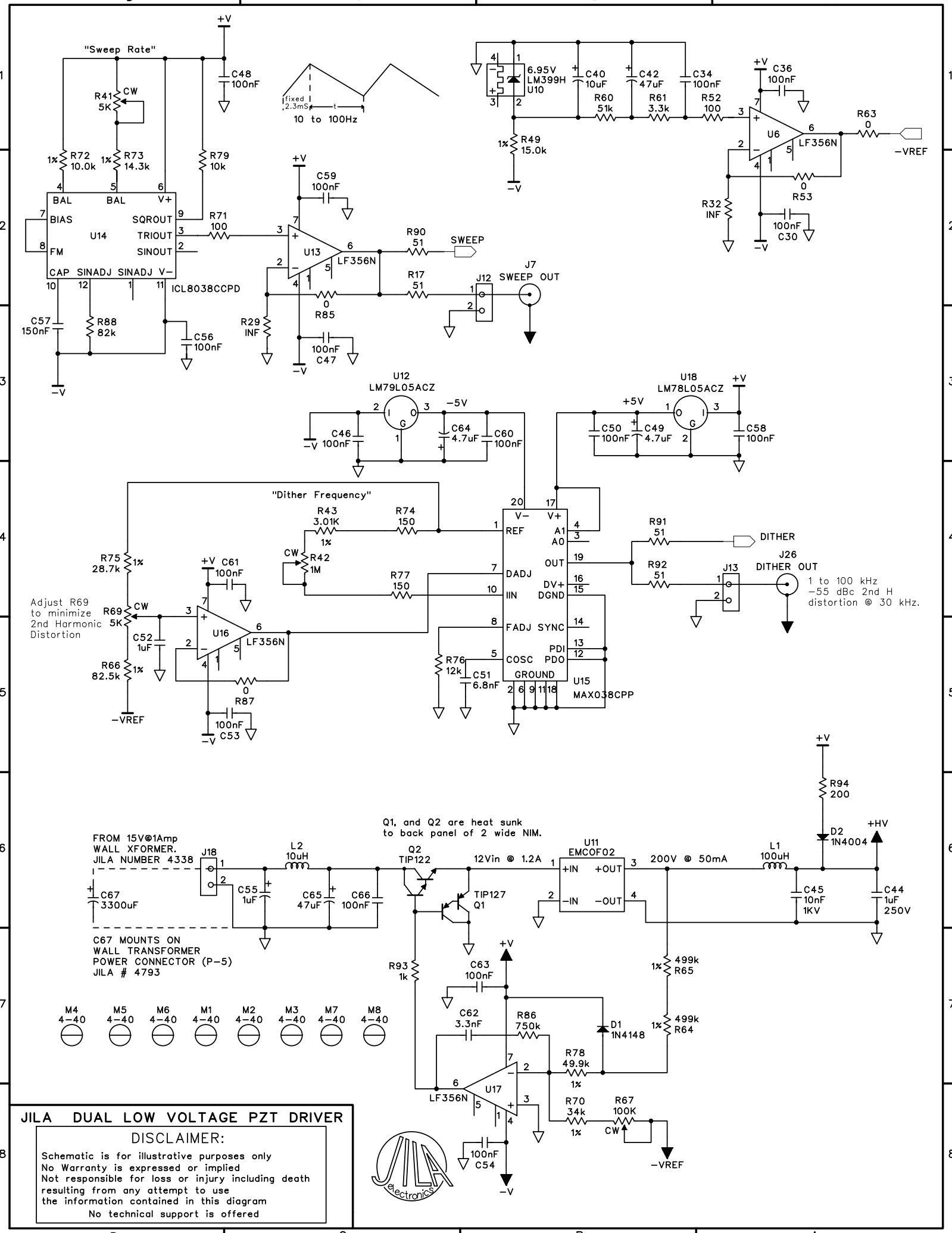


JILA DUAL LOW VOLTAGE PZT DRIVER

DISCLAIMER:

Schematic is for illustrative purposes only
 No Warranty is expressed or implied
 Not responsible for loss or injury including death
 resulting from any attempt to use
 the information contained in this diagram
 No technical support is offered





JILA DUAL LOW VOLTAGE PZT DRIVER

DISCLAIMER:
 Schematic is for illustrative purposes only
 No Warranty is expressed or implied
 Not responsible for loss or injury including death
 resulting from any attempt to use
 the information contained in this diagram
 No technical support is offered



FROM 15V@1Amp
 WALL XFORMER.
 JILA NUMBER 4338

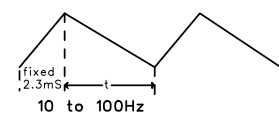
C67 MOUNTS ON
 WALL TRANSFORMER
 POWER CONNECTOR (P-5)
 JILA # 4793

Q1, and Q2 are heat sunk
 to back panel of 2 wide NIM.

1 to 100 kHz
 -55 dBc 2nd H
 distortion @ 30 kHz.

"Dither Frequency"

Adjust R69
 to minimize
 2nd Harmonic
 Distortion



1
2
3
4
5
6
7
8

1
2
3
4
5
6
7
8

D C B A